

PHILIPS POLY DIAGNOST UPI AND ANGIO DIAGNOST 2U TABLE

An Advanced System for Universal Angiography

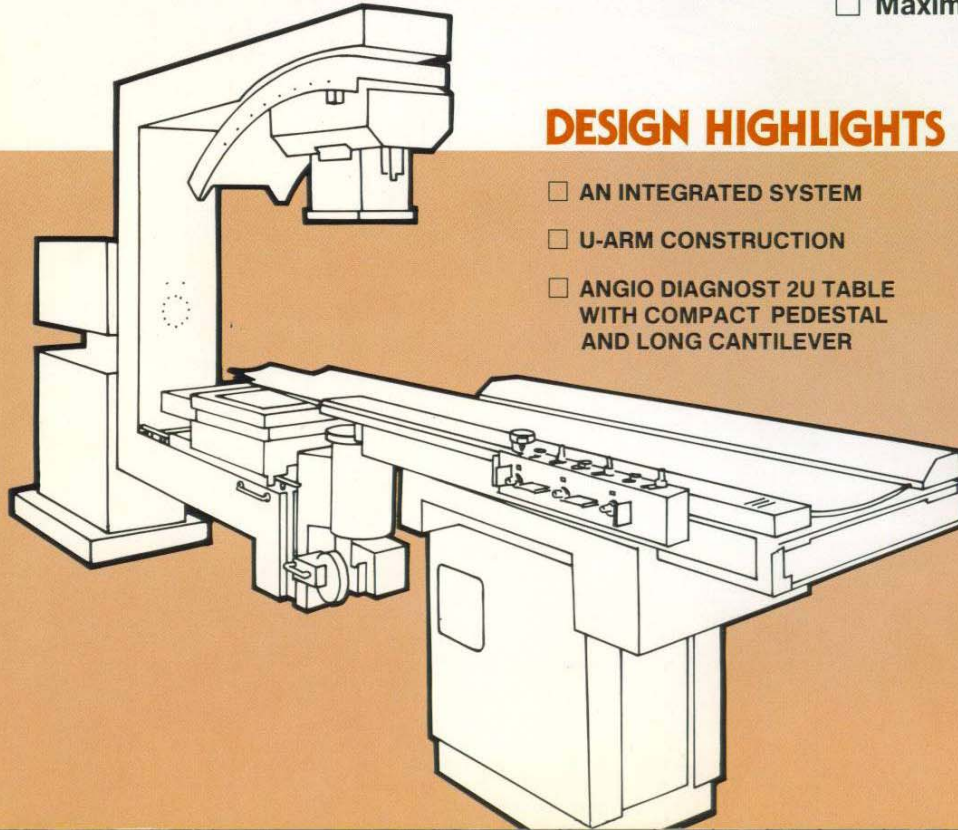
- Cerebral
- Abdominal
- Peripheral
- Cardiac



PHILIPS®

PHILIPS POLY DIAGNOST UPI AND ANGIO DIAGNOST 2U TABLE

- Revolutionary design permits cerebral, abdominal, peripheral and occasional cardiac angiography
- Technical flexibility for extraordinary versatility
- Convenience of operation for examination efficiency
- Optimum image quality
- Maximum patient comfort



DESIGN HIGHLIGHTS

- AN INTEGRATED SYSTEM
- U-ARM CONSTRUCTION
- ANGIO DIAGNOST 2U TABLE WITH COMPACT PEDESTAL AND LONG CANTILEVER
- ARAMIDE FIBER TABLETOP
- AN ANGULATING TUBE
- RAPID CHANGEOVER FROM FLUOROSCOPY TO FILM CHANGER WORK WITH INTEGRATED IMAGE INTENSIFIER AND PUCK
- THE BOATING MOVEMENT
- CONTACT AND 2:1 MAGNIFICATION
- TOTAL COMPONENT COMPATIBILITY
Tube · Collimator · Generator
- EASE OF OPERATION

DESIGN HIGHLIGHTS

INTEGRATED SYSTEM
1.

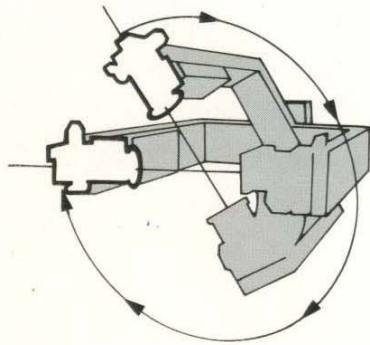
U-ARM CONSTRUCTION
2.

U-ARM CONSTRUCTION

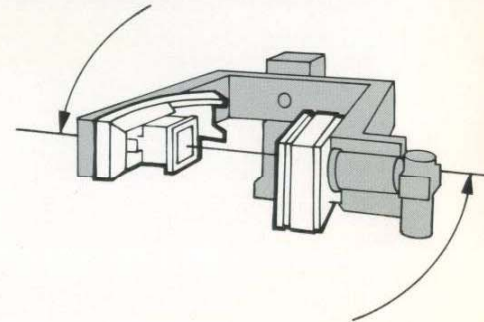
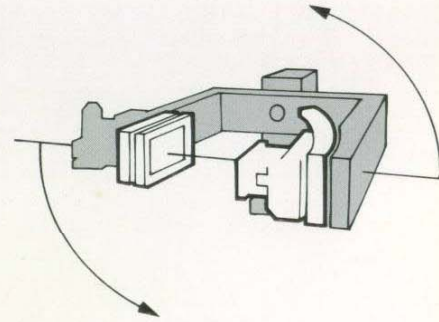
U-ARM CONSTRUCTION

FEATURE BENEFITS

Rotates 330° around patient



- Insures fast and easy changeover from A-P to lateral projections
- Eliminates need for patient movement
- Aids selective catheterization techniques
- Covers all routine projections from full left lateral to 60° right anterior oblique

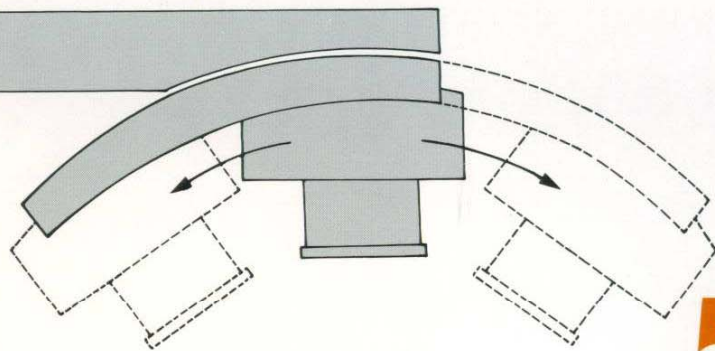


THE ANGIO
3. DIAGNOST 2U TABLE

THE ANGIO
DIAGNOST 2U TABLE

ARAMIDE FIBER
4. CONTOURED TABLETOP

U-ARM
CONSTRUCTION

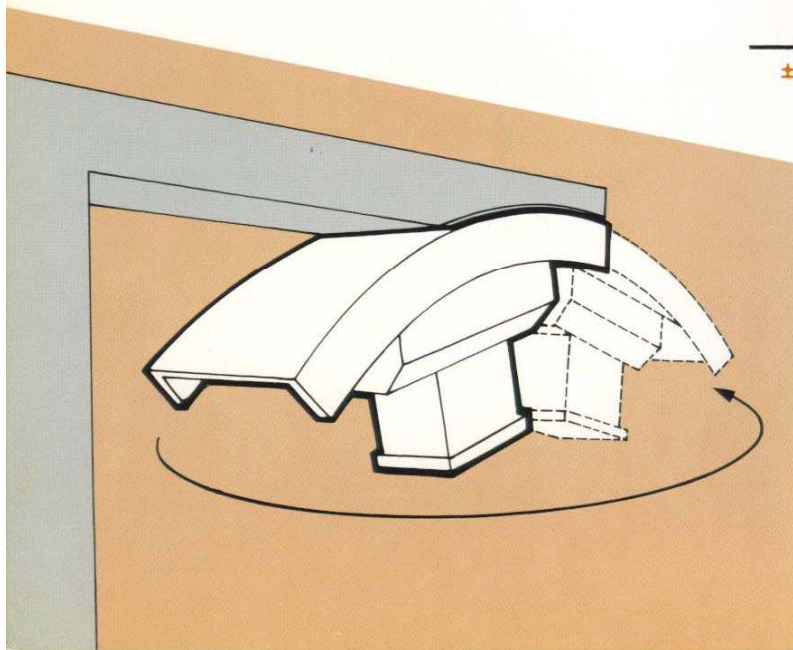


5. ANGULATING TUBE

FEATURE **BENEFITS**

± 35° cranial/caudal capability

- Maximum patient comfort
- No risk of catheter displacement
- Operational ease
- Minimized distortion
- Wide range of angulated projections



5. ANGULATING TUBE

6. IMAGE RECEPTORS

ADDITIONAL FEATURES

7. THE UPI HAS THE ADVANTAGES